

POWERTEC MOTOR DIMENSIONS

A

MOTORS

B

DRIVES

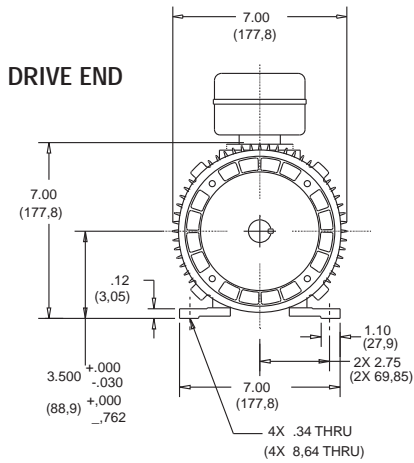
C

PRE-ENGINEERED
DRIVE SYSTEMS

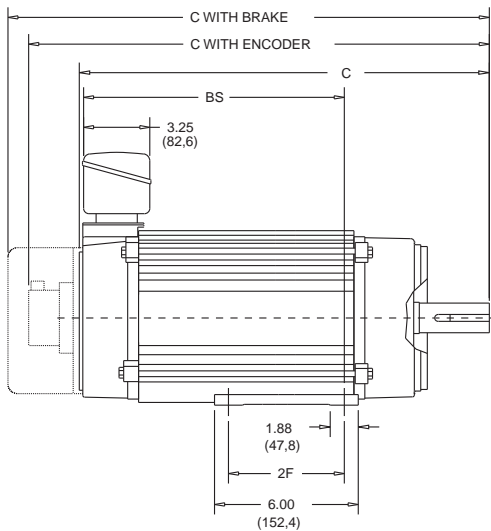
D

GENERAL
INFORMATION

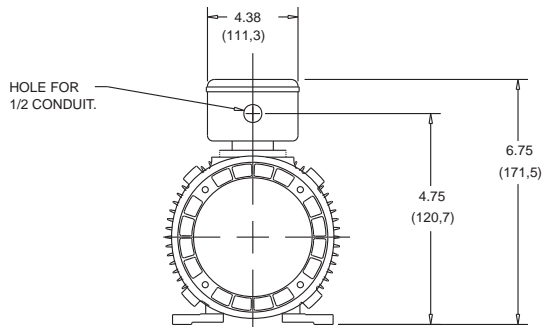
F140 Frames, TENV (Totally Enclosed, Non-Ventilated)



SIDE VIEW



OPPOSITE DRIVE END



CALLOUT FOR "C" DIMENSION			
MODEL	MOTOR ONLY	WITH ENCODER	WITH BRAKE
F143	12.29 (312,17)	16.41 (416,82)	Consult Factory
F145	15.04 (382,02)	19.16 (486,7)	Consult Factory
F147	17.79 (451,87)	21.91 (556,52)	Consult Factory

Dimensions in () are mm, all others in inches

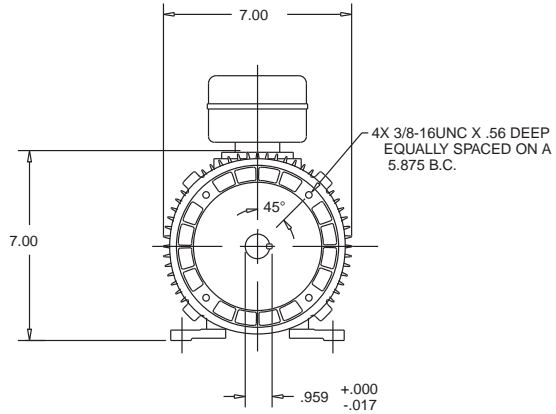
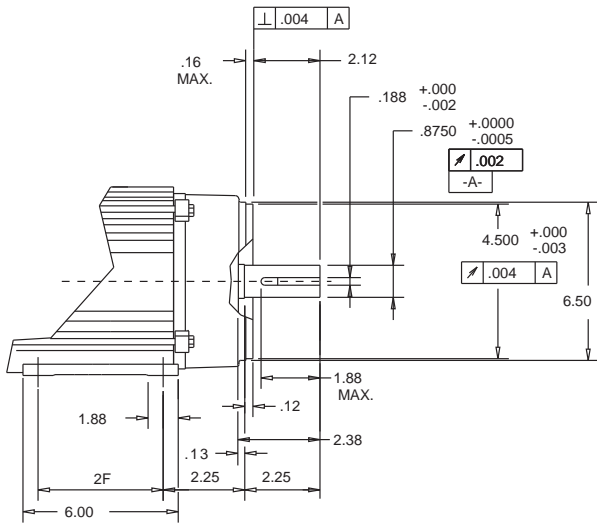
MODEL	2F	BS
F143	4.00 (101,6)	7.03 (178,56)
F145	5.00 (127)	9.78 (248,4)
F147	5.00 (127)	12.53 (318,26)

1. CONDUIT BOX CAN BE ROTATED IN 90° STEPS ON ITS OWN AXIS.

POWERTEC MOTOR DIMENSIONS

F140 Frame Mounting, NEMA

NEMA C FACE
Dimensions in inches



REFER TO TENV DIMENSIONS ON PAGE 27
FOR FRONT VIEW FEET DIMENSIONS.

MODEL	2F DIMENSION
F143	4.00
F145	5.00
F147	5.00