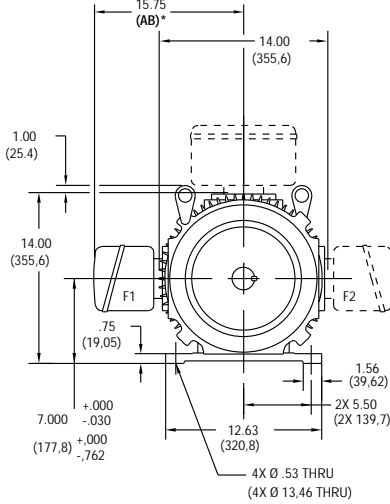


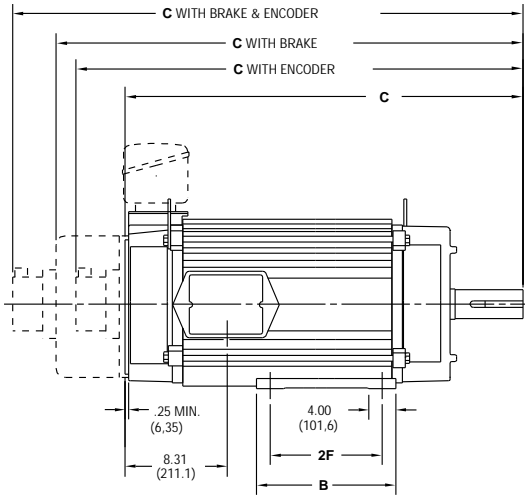
FACTORQ MOTOR DIMENSIONS

E280 Frames, TENV (Totally Enclosed, Non-Ventilated)

DRIVE END



SIDE VIEW

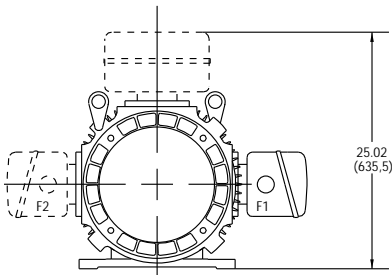


CALLOUT FOR "C" DIMENSION				
MODEL	MOTOR ONLY	WITH ENCODER	WITH BRAKE	WITH BRAKE & ENCODER
E28A	42.00 (1066,8)	44.79 (1137,7)	48.57 (1233,7)	50.54 (1283,7)
E28C	46.12 (1171,4)	48.91 (1242,3)	52.69 (1338,3)	54.66 (1388,4)

MODEL	2F DIMENSION	B DIMENSION
E28A	18.00 (457,2)	20.00 (508)
E28C	22.00 (558,8)	24.00 (609,6)

Dimensions in () are mm, all others in inches

OPPOSITE DRIVE END



NOTE:

1. Reference page 124 for conduit box dimensions.
2. Conduit box can be rotated in 90° steps on its own axis and can be mounted on opposite side or top when specified.

* See terminations, page 126.

PACTORQ MOTOR DIMENSIONS

A

MOTORS

B

DRIVES

C

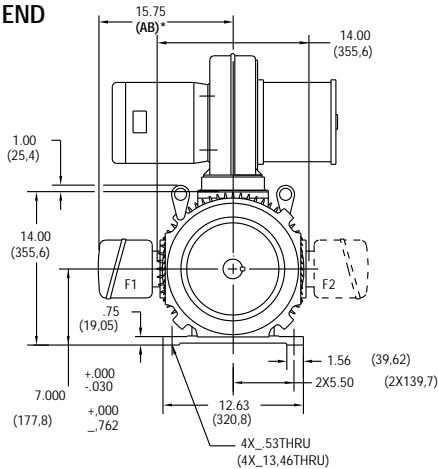
PRE-ENGINEERED
DRIVE SYSTEMS

D

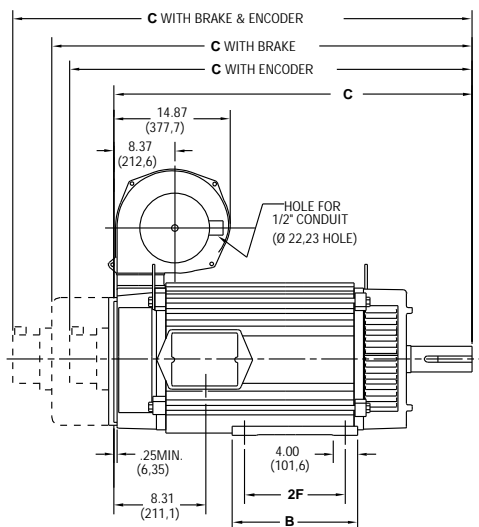
GENERAL
INFORMATION

E280 Frames, DPBV (Dripproof, Blower Ventilated)

DRIVE END



SIDE VIEW

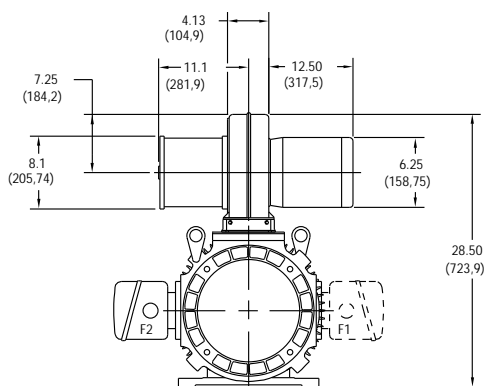


CALLOUT FOR "C" DIMENSION				
MODEL	MOTOR ONLY	WITH ENCODER	WITH BRAKE	WITH BRAKE & ENCODER
E28A	42.00 (1066,8)	44.79 (1137,7)	48.57 (1233,7)	50.54 (1283,7)
E28C	46.12 (1171,4)	48.91 (1242,3)	52.69 (1338,3)	54.66 (1388,4)

MODEL	2F DIMENSION	B DIMENSION
E28A	18.00 (457,2)	20.00 (508)
E28C	22.00 (558,8)	24.00 (609,6)

Dimensions in () are mm, all others in inches

OPPOSITE DRIVE END



NOTE:

- Reference page 124 for conduit box dimensions.
- Conduit box can be rotated in 90° steps on its own axis and can be mounted on opposite side or top when specified.
- Blower can be rotated 180° about its axis. Size #9 blower is used on E280 frames. See Page 133.

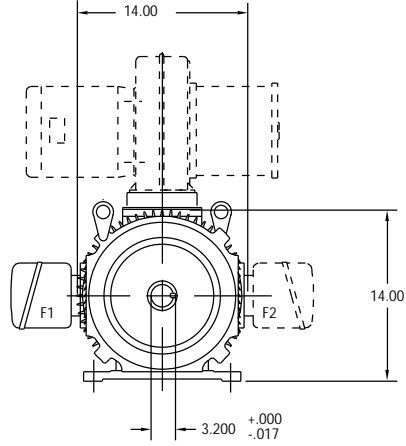
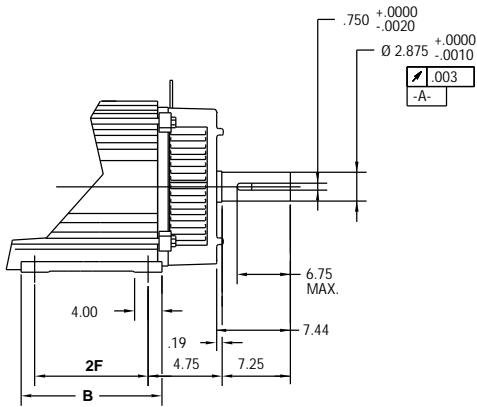
* See terminations, page 126.

FACTORQ MOTOR DIMENSIONS

E280 Frame Mounting, NEMA and Metric

NEMA FOOT MOUNT, NO FLANGE

Dimensions in inches

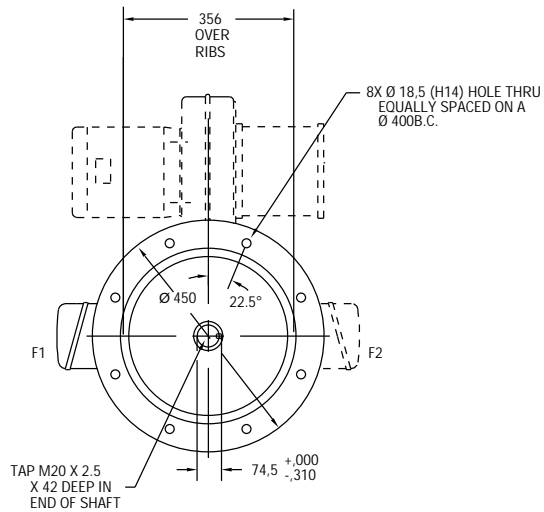
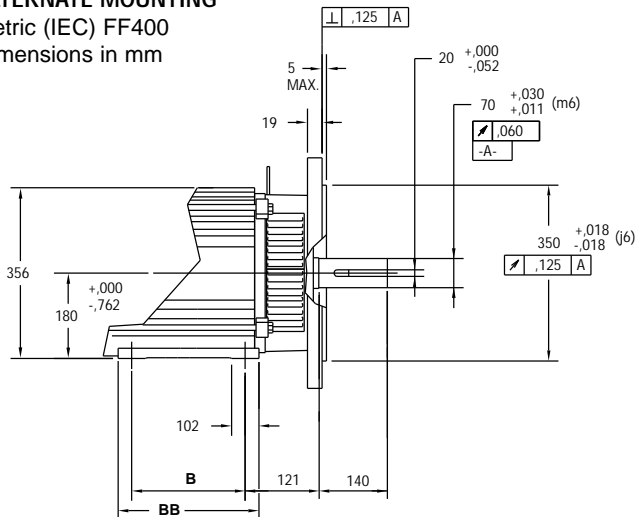


REFER TO DPBV DIMENSIONS ON PAGE 71 FOR FRONT VIEW FEET DIMENSIONS

MODEL	2F DIMENSION	B DIMENSION
E28A	18.00	20.00
E28C	22.00	24.00

ALTERNATE MOUNTING

Metric (IEC) FF400
Dimensions in mm



EXCEPT FOR FOOT HEIGHT REFER TO DPBV DIMENSIONS ON PAGE 71 FOR FRONT VIEW FEET DIMENSIONS

MODEL	B DIMENSION	BB DIMENSION
E28A	457,2	508,0
E28C	558,8	610,0